

Street Lighting Series



CL -65 W – IP66/IP67

CL-90 W – IP66/IP67

CL-180 W – IP66/IP67



Code	Detail	Colour	Description	Optional
CL-65W	STREET	4000K /6500 lumen	65W-IP66/IP67	Integrated dimmable driver
CL-90W	STREET	4000K/9000 lumen	90W-IP66/IP67	Integrated dimmable driver
CL-180W	STREET	4000K /18000 lumen	180W-IP66/IP67	Integrated dimmable driver

Standard colours 4000 K , on request 3000 K – 5600 K
Saline corrosion resistance – Provided with integrated passive PFC

Optical Features : Diffuser , tempered glass , Colour Rendering Index – CRI 80 , Beam Form , Asimetric

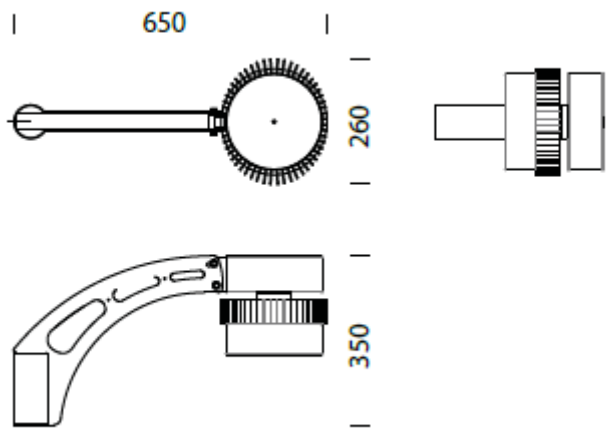
ELECTRICAL Features : 230 Vac- 50/60 Hz Nominal Voltage , IP Rating IP66/IP67 , Insulation Class 1 , Electric Connection IP68 plug and play connector , >90 % Energetic Efficiency , Nominal Working Temperature -25°c ...+50°c , Storage Temperature -25°c+65 °c

Mechanical Features : Installation Type , adjustable on pole

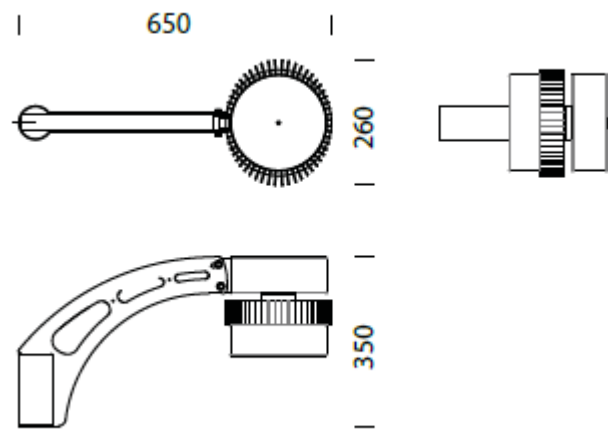
Applications : Street ME3a , urban design , bicycle path ...

LED Nominal Power 65W – 1 Array by Bridgelux
LED Nominal Power 90 W – 2 Array by Bridgelux
LED Nominal Power 180W – 3 Array by Bridgelux

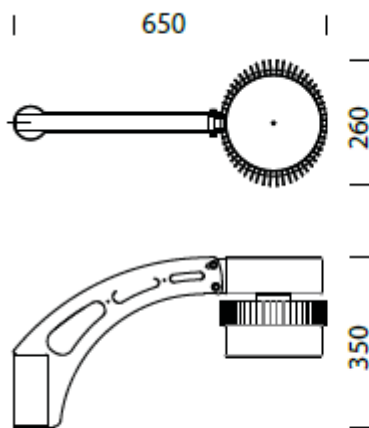




CL-65W IP66/IP67 7,5 kg



CL-90W IP66/IP67 8,5 kg



CL-180W IP66/IP67 9 kg



LED
bridgelux®

CL CONCEPT LIGHT

Made in France